



LEFROY BROOKS

1 8 2 8 T R O U T M A N S T R E E T  
R I D G E W O O D N E W Y O R K N Y 1 1 3 8 5 U S A  
T : + 1 ( 7 1 8 ) 3 0 2 5 2 9 2 F : + 1 ( 7 1 8 ) 3 0 2 4 1 7 7

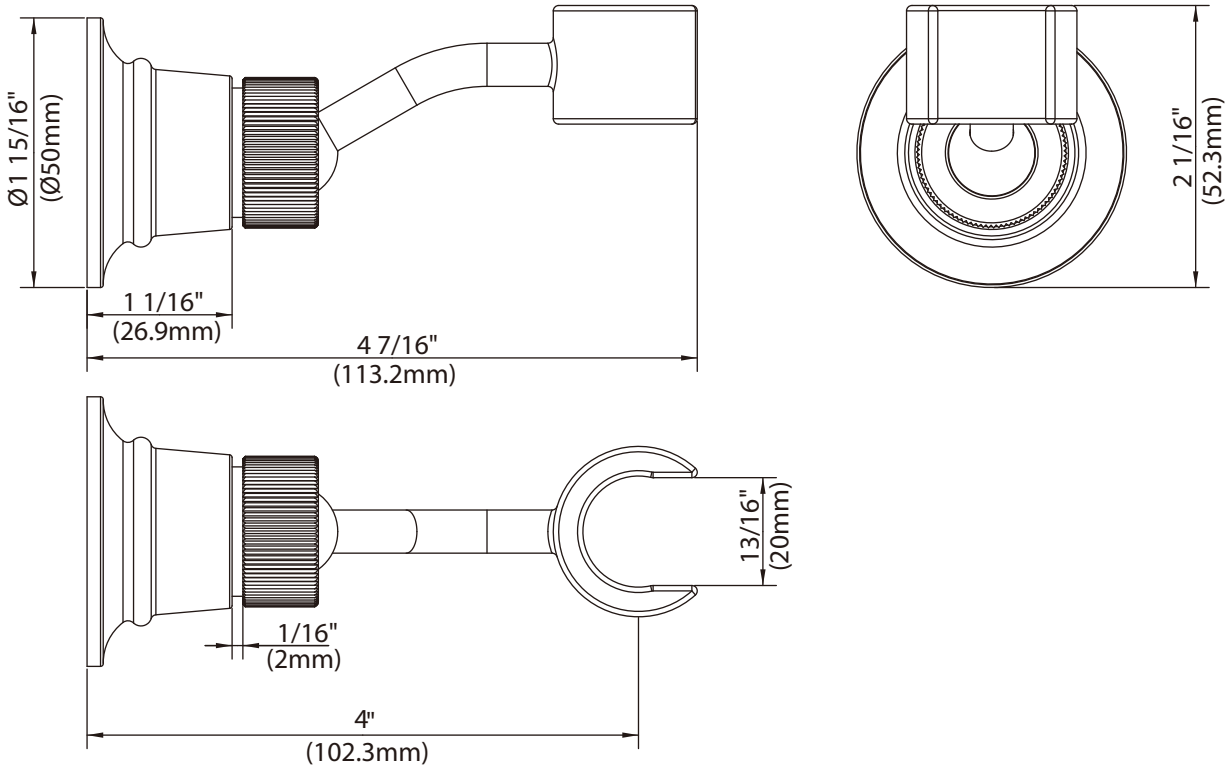
Y1-5468

ADJUSTABLE HAND SHOWER WALL BRACKET

DIMENSIONAL DATA SHEET

DATE: 16 March 2012

No: A558249



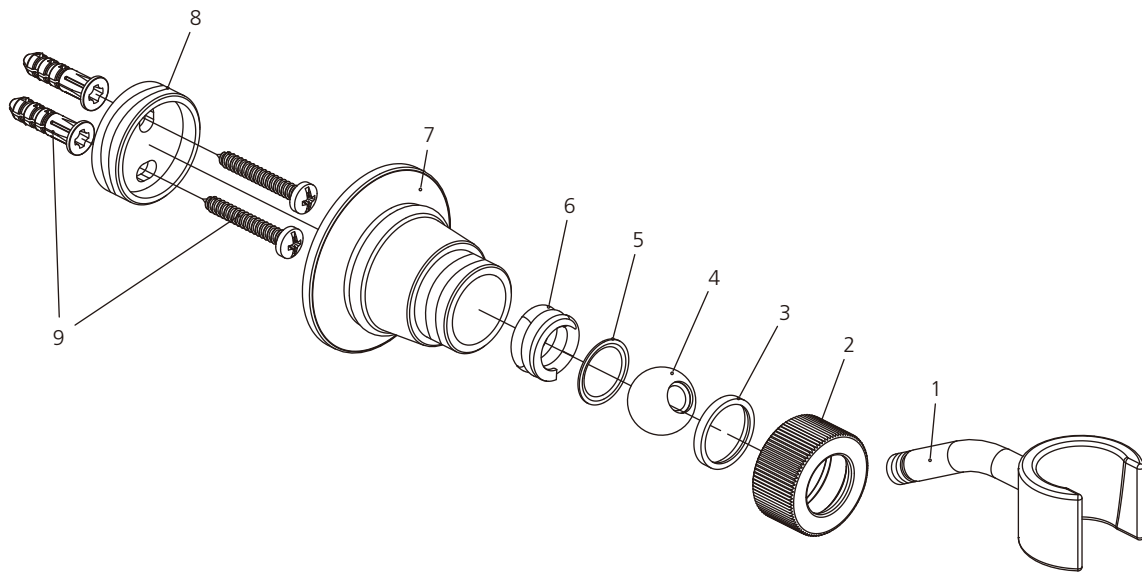
©COPYRIGHT 2009. CHRISTO LEFROY BROOKS. ALL RIGHTS RESERVED.

DIMENSIONS IN INCHES & MILLIMETRES

WHILST EVERY EFFORT IS MADE TO ENSURE THE ACCURACY OF THESE DATA SHEETS THEY ARE SUBJECT TO CHANGE WITHOUT NOTICE AS PART OF THE COMPANY'S PRODUCT DEVELOPMENT PROCESS

# Y1-5468

## ADJUSTABLE HAND SHOWER WALL BRACKET



- 1 Shower bracket (117003)
- 2 Nut (009317)
- 3 Washer (060023)
- 4 Ball joint (067444)
- 5 Washer (013614)
- 6 Spring (005156)
- 7 Base (240223)
- 8 Mounting bracket (293020)
- 9 Fixing kit (290614)